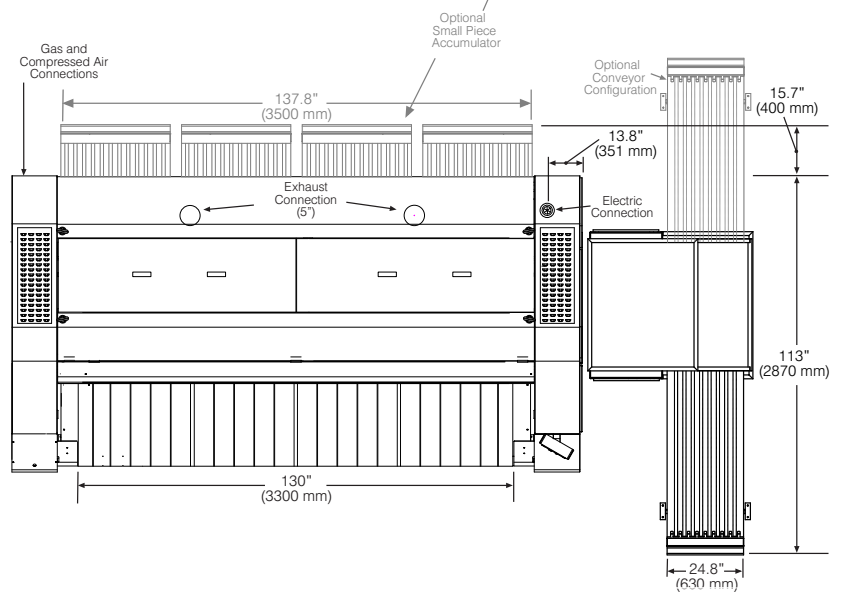
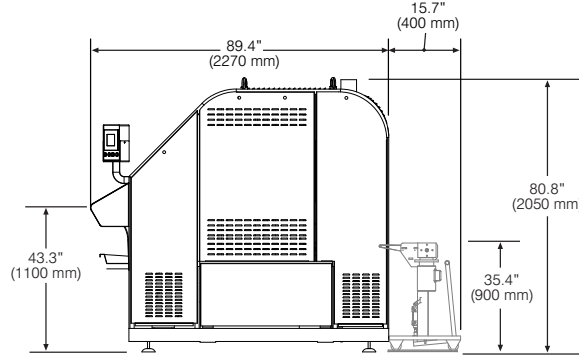


ZC32130

COMPACT 5-IN-ONE IRONING SYSTEM

Cylinder Diameter	<i>inch (mm)</i>	32 (800)
Usable Cylinder Width	<i>inch (mm)</i>	130 (3300)
Evaporation Capability	<i>gal/h (l/h)</i>	31.7 (120)
Ironing Speed	<i>ft/min (m/min)</i>	9-49 (3-15)
Net Weight	<i>lbs (kg)</i>	8047 (3650)
Crated Weight	<i>lbs (kg)</i>	8157 (3700)
Machine Width	<i>inch (mm)</i>	
	machine only	166.1 (4220)
Machine Depth	<i>inch (mm)</i>	
	machine only	89.4 (2270)
	with stacker	113 (2870)
	with accumulator	105.1 (2670)
	with accumulator & stacker	128.7 (3270)
Machine Height	<i>inch (mm)</i>	80.8 (2050)
Shipping Dimensions	<i>inch (mm)</i>	173.2 x 94.5 x 87.6
	<i>WxDxH</i>	(4400x2400x2200)
Feed Height	<i>inch (mm)</i>	43.3 (1100)
Electrical Consumption	<i>kW (Hp)</i>	4.1 (5.5)
Exhaust Diameter (2)	<i>inch (mm)</i>	5 (127)
Gas Connection	<i>inch (mm)</i>	
	Natural	1 (25.4)
	Propane	0.75 (19)
Gas Heating	<i>BTU/h</i>	424,500
Gas Consumption	<i>cfm</i>	7.06
Compressed Air Connection	<i>inch(mm)</i>	1/2 NPT (12)
Compressed Air Flow	<i>gal/min</i>	135 (recommended)
Circuit Protection	<i>Amps</i>	
	208-240/60/3	16.7
Full Load	<i>Amps</i>	
	400/240V	9.8/16.7



* These are temporary specification. Please verify before final installation.
Specifications subject to change without notice or obligation. Call Continental
Girbau for dimensions not shown or for clarification.

