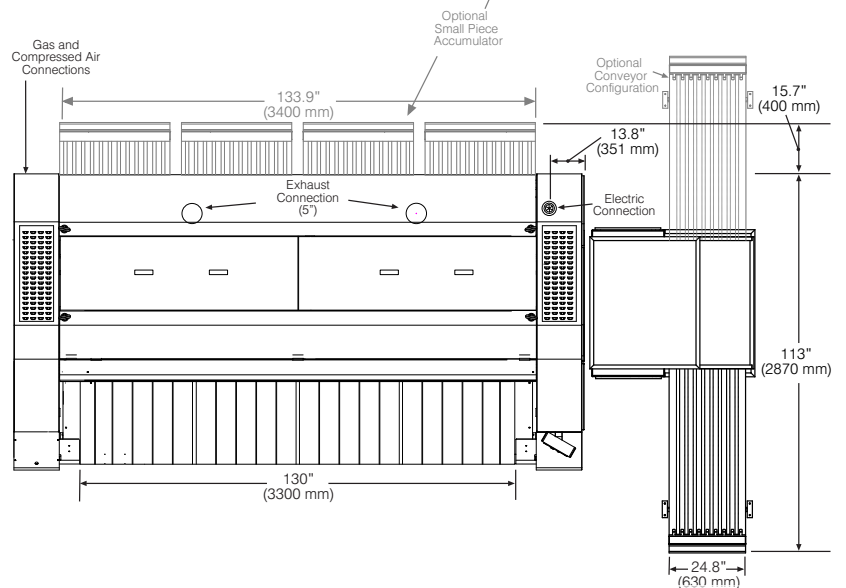
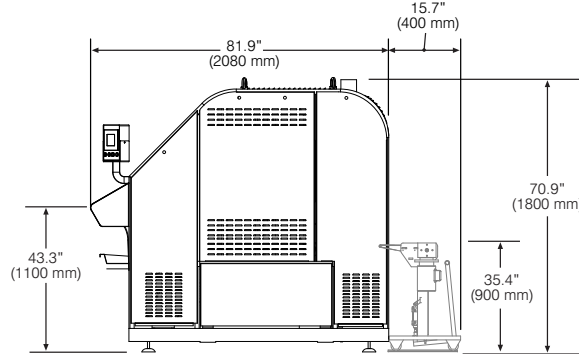


ZC24130

COMPACT 5-IN-ONE IRONING SYSTEM

Cylinder Diameter	<i>inch (mm)</i>	24 (600)
Usable Cylinder Width	<i>inch (mm)</i>	130 (3300)
Evaporation Capability	<i>gal/h (l/h)</i>	22.5 (85)
Ironing Speed	<i>ft/min (m/min)</i>	9-32 (3-10)
Net Weight	<i>lbs (kg)</i>	5071 (2300)
Crated Weight	<i>lbs (kg)</i>	7496 (3400)
Machine Width	<i>inch (mm)</i>	
machine only		161.4 (4100)
with stacker		211.4 (5370)
Machine Depth	<i>inch (mm)</i>	
machine only		81.9 (2080)
with stacker		113 (2870)
with accumulator		97.6 (2480)
with accumulator & stacker		128.7 (3270)
Machine Height	<i>inch (mm)</i>	70.9 (1800)
Shipping Dimensions	<i>inch (mm)</i>	165.4 x 87.6 x 74.8
	<i>WxDxH</i>	(4200x2200x1900)
Feed Height	<i>inch (mm)</i>	43.3 (1100)
Electrical Consumption	<i>kW (Hp)</i>	3.7 (5)
Exhaust Diameter (2)	<i>inch (mm)</i>	5 (127)
Gas Connection	<i>inch (mm)</i>	
Natural		1 (25.4)
Propane		0.75 (19)
Gas Heating	<i>BTU/h</i>	318,000
Gas Consumption	<i>cfm</i>	5.29
Compressed Air Connection	<i>inch(mm)</i>	1/2 NPT (12)
Compressed Air Flow	<i>gal/min</i>	135 (recommended)
Circuit Protection	<i>Amps</i>	
208-240/60/3		15
Full Load	<i>Amps</i>	
400/240V		8.8/15



* These are temporary specification. Please verify before final installation. Specifications subject to change without notice or obligation. Call Continental Girbau for dimensions not shown or for clarification.

