

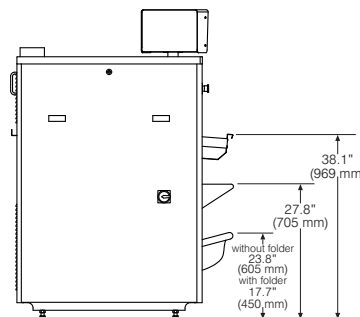
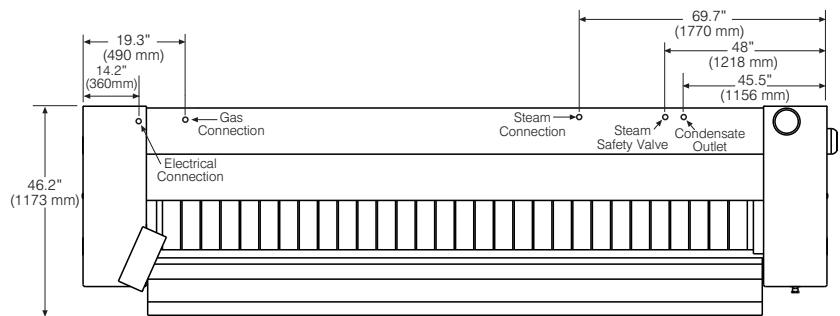
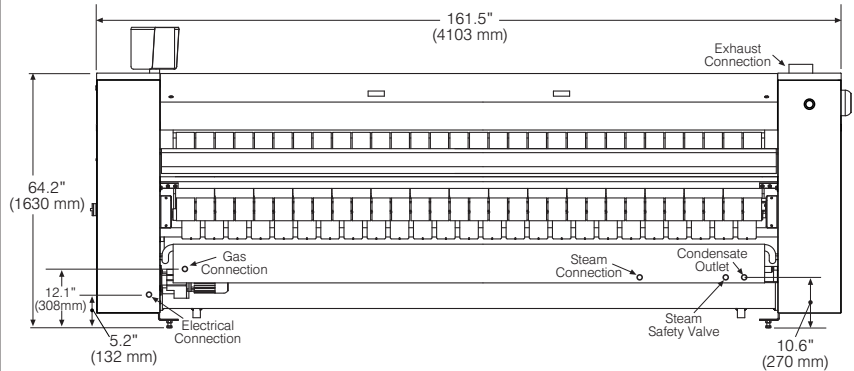
Z20125

Z-SERIES HEATED-ROLL
FLATWORK IRONER



2500 State Road 44 • Oshkosh, WI 54904
920.231.8222 • FAX 920.231.4666
www.onepressironer.com

Cylinder Diameter	<i>inch (mm)</i>	20.1 (510)
Usable Cylinder Width	<i>inch (mm)</i>	124.6 (3165)
Evaporation Capability	<i>gal/h (l/h)</i>	
Gas		15.85 (60)
Electric		13.21 (50)
Steam		18.49 (70)
Ironing Speed	<i>ft/min (m/min)</i>	3-49 (1-15)
Net Weight	<i>lbs (kg)</i>	
Gas/Electric	<i>without folder</i>	3137 (1423)
	<i>with folder</i>	3497 (1586)
Steam	<i>without folder</i>	3379 (1533)
	<i>with folder</i>	3739 (1696)
Crated Weight	<i>lbs (kg)</i>	
Gas/Electric	<i>without folder</i>	3876 (1758)
	<i>with folder</i>	4290 (1946)
Steam	<i>without folder</i>	4118 (1868)
	<i>with folder</i>	4533 (2056)
Machine Width	<i>inch (mm)</i>	161.5 (4103)
Machine Depth	<i>inch (mm)</i>	46.2 (1173)
Machine Height	<i>inch (mm)</i>	64.2 (1630)
Feed Height	<i>inch (mm)</i>	40.6 (1030)
Shipping Dimensions (WxDxH)	<i>inch (mm)</i>	
	<i>without folder</i>	167.3 x 45.5 x 71.9 (4250 x 1155 x 1825)
	<i>with folder</i>	167.3 x 50.6 x 71.9 (4250 x 1285 x 1825)
Motor Power	<i>Hp</i>	
Roller Motor		0.40
Extraction Motor		0.74
Exhaust Diameter	<i>inch (mm)</i>	5.1 (130)
Exhaust Air Flow	<i>cfm (m³/h)</i>	
Gas		564 (634)
Electric/Steam		1077 (958)
Electric Heating	<i>kW</i>	
208/60/3		47.32
240/60/3		63
Gas Connection	<i>inch (mm)</i>	3/4 NPT (19)
Gas Heating	<i>BTU/h</i>	
Natural		256,593
Propane		256,934
Gas Consumption	<i>cfm (m³/h)</i>	
Natural		4.69 (7.96)
Propane		12.66 (5.74)
Gas Pressure	<i>inch wc</i>	
Natural		7
Propane		11
Steam Connection	<i>inch (mm)</i>	1 (25.4)
Steam Condensate Outlet	<i>inch (mm)</i>	3/4 (19)
Steam Heating	<i>BTU/h</i>	277,748
Steam Consumption	<i>lbs/h (kg/h)</i>	317 (144)
Steam Pressure	<i>PSI (bar)</i>	116 (8)
Safety Valve Connection	<i>inch (mm)</i>	1 (25.4)
Circuit Protection	<i>Amps</i>	
Gas/Steam	208-240/60/1	10
Electric	208/60/3	200
	240/60/3	200
Full Load	<i>Amps</i>	
Gas/Steam	208-240/60/1	6.1
Electric	208/60/3	137
	240/60/3	158



* Specifications subject to change without notice or obligation. Call OnePress for dimensions not shown or for clarification.