

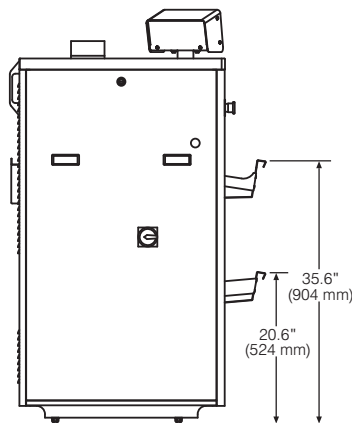
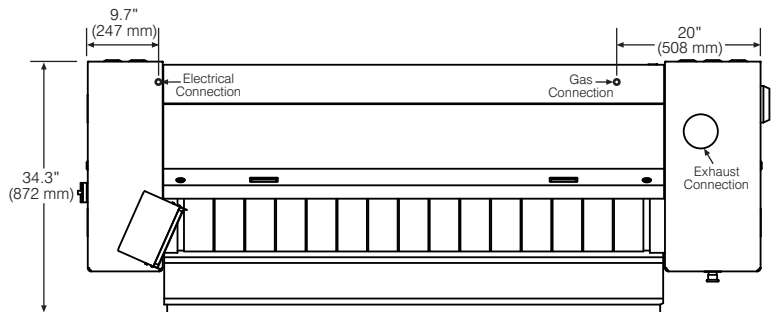
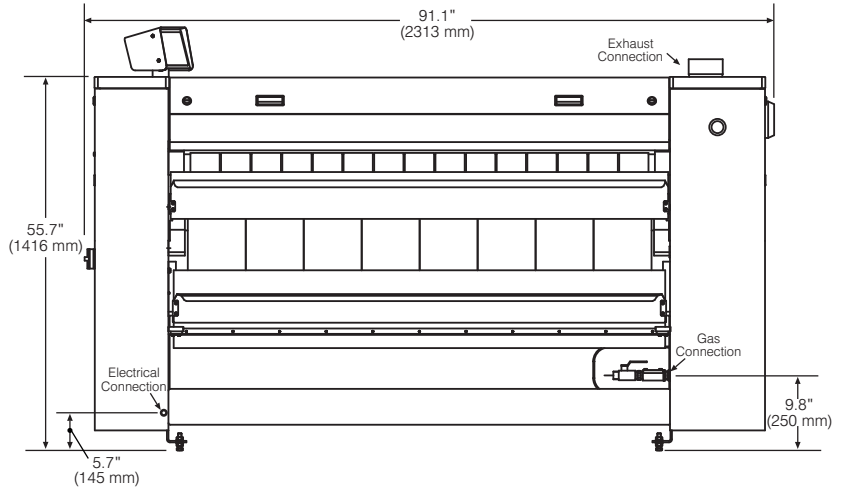
Z13061

Z-SERIES HEATED-ROLL
FLATWORK IRONER



2500 State Road 44 • Oshkosh, WI 54904
920.231.8222 • FAX 920.231.4666
www.onepressironer.com

Cylinder Diameter <i>inch (mm)</i>	12.8 (325)
Usable Cylinder Width <i>inch (mm)</i>	60.6 (1540)
Evaporation Capability <i>gal/h (l/h)</i>	3.96 (15)
Ironing Speed <i>ft/min (m/min)</i>	3-36 (1-11)
Net Weight <i>lbs (kg)</i>	1012 (459)
Crated Weight <i>lbs (kg)</i>	1360 (617)
Machine Width <i>inch (mm)</i>	91.1 (2313)
Machine Depth <i>inch (mm)</i>	34.3 (872)
Machine Height <i>inch (mm)</i>	55.7 (1416)
Feed Height <i>inch (mm)</i>	39.2 (996)
Shipping Dimensions <i>inch (mm)</i> (WxDxH)	96.4 x 35.6 x 63 (2448 x 905 x 1600)
Motor Power <i>Hp</i>	
Roller Motor	0.40
Extraction Motor	0.40
Exhaust Diameter <i>inch (mm)</i>	4.5 (114)
Exhaust Air Flow <i>cfm (m³/h)</i>	
Gas	387 (658)
Electric	353 (600)
Electric Heating <i>kW</i>	
208/60/3	12.39
240/60/3	16.5
Gas Connection <i>inch (mm)</i>	3/4 NPT (19)
Gas Heating <i>BTU/h</i>	
Natural	79,844
Propane	76,773
Gas Consumption <i>cfm (m³/h)</i>	
Natural	1.46 (2.48)
Propane	3.78 (1.72)
Gas Pressure <i>inch wc</i>	
Natural	7
Propane	11
Circuit Protection <i>Amps</i>	
Gas 208-240/60/1	6
Electric 208/60/3	63
Electric 240/60/3	63
Full Load <i>Amps</i>	
Gas 208-240/60/1	4.7
Electric 208/60/3	39
Electric 240/60/3	44



* Specifications subject to change without notice or obligation. Call OnePress for dimensions not shown or for clarification.